

RIFLESCOPE SPECIFICATIONS

SCOPE MODELS	Tube diameter	Objective lens ϕ	Exit pupil ϕ	Eye relief	Field of view (ft/100 yds / m/100 m)	Dioptric compensation	Impact point corr. per click	Max. adjustment range	Parallax correction	Length approx.	Weig/ozht	Battery	Brightness levels	Submersion tightness	Front lens sunshade thread	Price US FOB NingBo
6X																
1-6x24	30mm	24mm	9.5-4.0mm	97mm	124.5-20.7/42-7	-3 to +2	1/2 MOA	140MOA	100yds fix	282mm	447g/15.77oz	/	/	4m	M25.5X0.75	
1-6x24 IR	30mm	24mm	9.5-4.0mm	97mm	124.5-20.7/42-7	-3 to +2	1/2 MOA	140MOA	100yds fix	282mm	459g/16.19oz	CR2032	six gear	4m	M25.5X0.75	142
1.5-9x44 IR	30mm	44mm	9.5-4.9mm	97mm	84-14/28-4.6	-3 to +2	1/4MOA	140MOA	100yds fix	336mm	575g/20.28oz	CR2032	six gear	4m	M46x0.75	144
2-12x50	30mm	50mm	9.5-4.2mm	97mm	63-10.5/21-3.5	-3 to +2	1/4MOA	140MOA	100yds fix	334mm	581g/20.49oz	/	/	4m	M52X0.75	
2-12x50 IR	30mm	50mm	9.5-4.2mm	97mm	63-10.5/21-3.5	-3 to +2	1/4MOA	140MOA	100yds fix	334mm	593g/20.92oz	CR2032	six gear	4m	M52X0.75	144
2.5-15x50SF	30mm	50mm	9.5-3.3mm	97mm	49.8-8.3/16.6-2.8	-3 to +2	1/4MOA	110MOA	10yds- ∞	373mm	631g/22.26oz	/	/	4m	M52X0.75	
2.5-15x50SF IR	30mm	50mm	9.5-3.3mm	97mm	49.8-8.3/16.6-2.8	-3 to +2	1/4MOA	110MOA	10yds- ∞	373mm	643g/22.68oz	CR2032	six gear	4m	M52X0.75	168
3-18x50SF	30mm	50mm	9.5-2.8mm	97mm	41.5-6.9/13.8-2.3	-3 to +2	1/4MOA	75MOA	10yds- ∞	383mm	619g/21.83oz	/	/	4m	M52X0.75	
3-18x50SF IR	30mm	50mm	9.5-2.8mm	97mm	41.5-6.9/13.8-2.3	-3 to +2	1/4MOA	75MOA	10yds- ∞	383mm	631g/22.26oz	CR2032	six gear	4m	M52X0.75	173
4-24x50SF	30mm	50mm	9.5-2.1mm	97mm	31.1-5.2/10.4-1.7	-3 to +2	1/4MOA	75MOA	15yds - ∞	369mm	614g/21.66oz	/	/	4m	M52X0.75	
4-24x50SF IR	30mm	50mm	9.5-2.1mm	97mm	31.1-5.2/10.4-1.7	-3 to +2	1/4MOA	75MOA	15yds - ∞	369mm	626g/20.08oz	CR2032	six gear	4m	M52X0.75	184
5-30x50SF	30mm	50mm	9.5-1.7mm	97mm	24.9-4.2/8.3-1.4	-3 to +2	1/4MOA	60MOA	15yds - ∞	400mm	621g/21.91oz	/	/	4m	M52X0.75	
5-30x50SF IR	30mm	50mm	9.5-1.7mm	97mm	24.9-4.2/8.3-1.4	-3 to +2	1/4MOA	60MOA	15yds - ∞	400mm	633g/22.33oz	CR2032	six gear	4m	M52X0.75	196
5-30x56SF IR	30mm	56mm	9.5-1.9mm	97mm	24.9-4.2/8.3-1.4	-3 to +2	1/4MOA	60MOA	15yds - ∞	400mm	652g/23.00oz	CR2032	six gear	4m	M57.5X0.75	209
4X																
1-4x24	30mm	24mm	9.5-6.0mm	97mm	124.5-31.1/42-10.3	-3 to +2	1/2 MOA	140MOA	100yds fix	282mm	447g/15.77oz	/	/	4m	M25.5X0.75	
1-4x24 IR	30mm	24mm	9.5-6.0mm	97 mm	124.5-31.1/42-10.3	-3 to +2	1/2 MOA	140MOA	100yds fix	282mm	459g/16.19oz	CR2032	six gear	4m	M25.5X0.75	124
1.5-6x44	30mm	44mm	9.5~7.1mm	97mm	82.98-20.74/27.66-6.91	-3 to +2	1/4MOA	120MOA	100yds fix	336mm	563g/19.85oz	/	/	4m	M46X0.75	
1.5-6x44 IR	30mm	44mm	9.5~7.1mm	97mm	82.98-20.74/27.66-6.91	-3 to +2	1/4MOA	120MOA	100yds fix	336mm	575g/20.28oz	CR2032	six gear	4m	M46X0.75	127
2.5-10x50	30mm	50mm	9.5-5.0mm	97mm	49.8-12.5/16.6-4.2	-3 to +2	1/4MOA	110MOA	100yds fix	334mm	581g/20.50oz	/	/	4m	M52X0.75	
2.5-10x50 IR	30mm	50mm	9.5-5.0mm	97mm	49.8-12.5/16.6-4.2	-3 to +2	1/4MOA	110MOA	100yds fix	334mm	593g/20.92oz	CR2032	six gear	4m	M52X0.75	128
3-12x50	30mm	50mm	9.5-4.2mm	97mm	41.5-10.4/13.8-3.5	-3 to +2	1/4MOA	110MOA	100yds fix	334mm	581g/20.50oz	/	/	4m	M52X0.75	
3-12x50 IR	30mm	50mm	9.5-4.2mm	97mm	41.5-10.4/13.8-3.5	-3 to +2	1/4MOA	110MOA	100yds fix	334mm	593g/20.92oz	CR2032	six gear	4m	M52X0.75	129
3-12X56	30mm	56mm	9.5~4.5mm	97mm	41.5-10.4/13.8-3.5	-3 to +2	1/4MOA	75MOA	100yds fix	347mm	600g/21.17oz	/	/	4m	M57.5X0.75	
3-12X56 IR	30mm	56mm	9.5~4.5mm	97mm	41.5-10.4/13.8-3.5	-3 to +2	1/4MOA	75MOA	100yds fix	347mm	612g/21.59oz	CR2032	six gear	4m	M57.5X0.75	130
4-16x50SF	30mm	50mm	9.5-3.1mm	97mm	31.1-7.8/10.4-2.6	-3 to +2	1/4MOA	75MOA	15yds - ∞	369mm	614g/21.66oz	/	/	4m	M52X0.75	
4-16x50SF IR	30mm	50mm	9.5-3.1mm	97mm	31.1-7.8/10.4-2.6	-3 to +2	1/4MOA	75MOA	15yds - ∞	369mm	626g/20.08oz	CR2032	six gear	4m	M52X0.75	145
6-24x50SF	30mm	50mm	9.5-2.1mm	97mm	20.7-5.2/6.9-1.7	-3 to +2	1/4MOA	75MOA	15yds - ∞	369mm	614g/21.66oz	/	/	4m	M52X0.75	
6-24x50SF IR	30mm	50mm	9.5-2.1mm	97mm	20.7-5.2/6.9-1.7	-3 to +2	1/4MOA	75MOA	15yds - ∞	369mm	626g/20.08oz	CR2032	six gear	4m	M52X0.75	154
8-32x50SF	30mm	50mm	9.5-1.6mm	97mm	15.6-3.9/5.2-1.3	-3 to +2	1/4MOA	60MOA	15yds - ∞	400mm	621g/21.91oz	/	/	4m	M52X0.75	
8-32x50SF IR	30mm	50mm	9.5-1.6mm	97mm	15.6-3.9/5.2-1.3	-3 to +2	1/4MOA	60MOA	15yds - ∞	400mm	633g/22.33oz	CR2032	six gear	4m	M52X0.75	167

RIFLESCOPE FEATURES

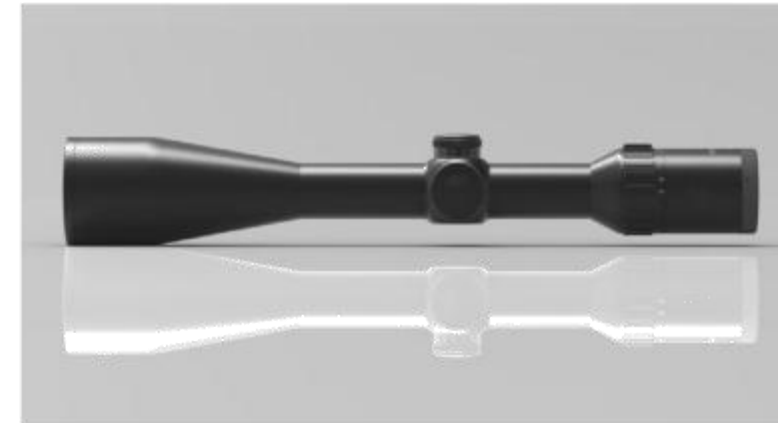
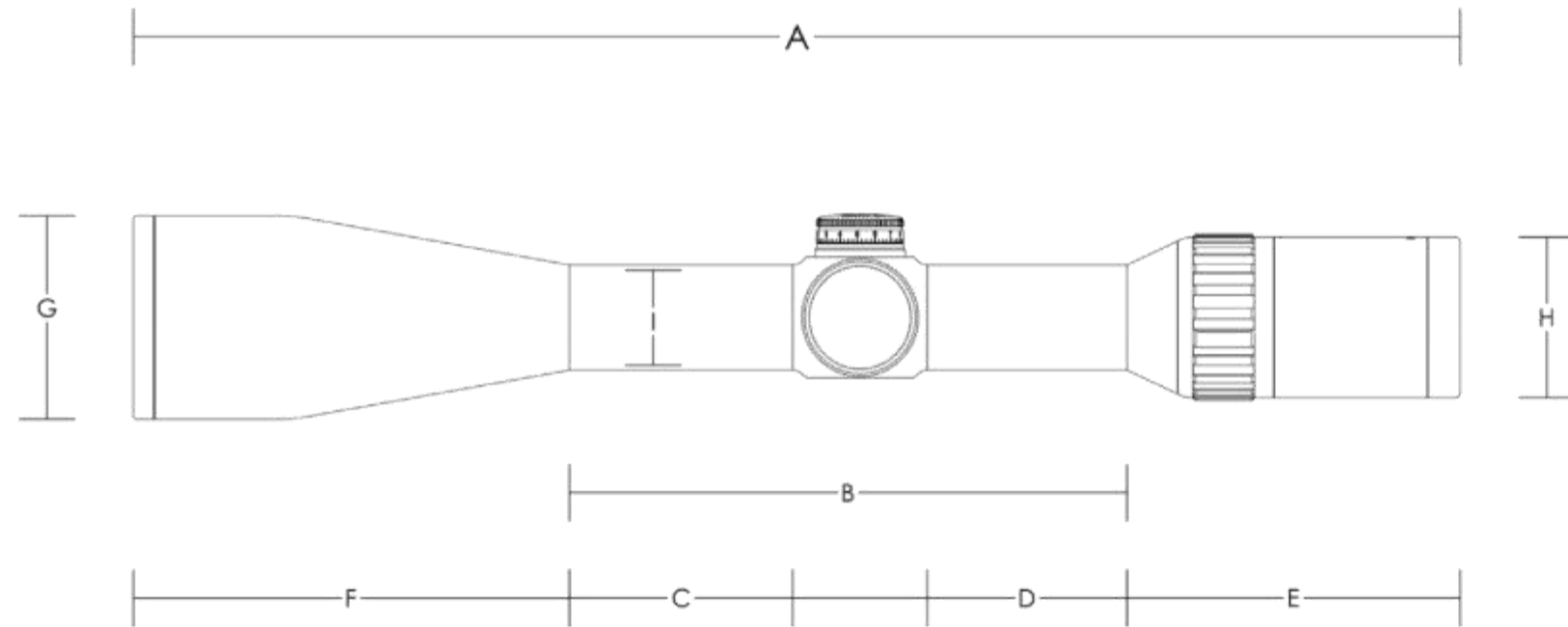
6X. 4X. Serials

FEATURES

- 4 Inches Eye Relief & a Bigger EYE-BOX
- Ultra Wide Field of View
- Excellent Clarity with High-grade Optical Glass
- Reduce Field Curvature
- Parallax Adjustment & Remove Distortion
- Multi-Coating
- 6061-T6 Aircraft Quality Aluminum
- Waterproof, Fogproof, Shockproof
- High-Strength Anodized Surface
- Crown Glass Lens. Environment Care
- Zero-set / Self-Locking Turrets
- Ultimate Edge Sharpness
- Sunshade Adaptable



RIFLESCOPE DIMENSIONS



SCOPE MODELS	A	B	C	D	E	F	G	H	I
6X									
1-6x24	282	185	99	58	97	/	/	45.8	30
2-12x50	334	141	44.5	58	97	96	57.2	45.8	30
2.5-15x50SF	373	150	54	58	97	126	57.2	45.8	30
3-18x50SF	383	160	64	58	97	126	57.2	45.8	30
4-24x50SF	369	151	54.5	58	97	121	57.2	45.8	30
5-30x50SF	400	167	71	58	97	136	57.2	45.8	30
4X									
1-4x24	282	185	91	58	97	/	/	45.8	30
1.5-6x44	336	148	53	58	97	91	51.2	45.8	30
2.5-10x50	334	141	45	58	97	96	57.2	45.8	30
3-12x50	334	141	44.5	58	97	96	57.2	45.8	30
3-12x56	347	147	51	58	97	103	64	45.8	30
4-16x50SF	369	151	54.5	58	97	121	57.2	45.8	30
6-24x50SF	369	151	54.5	58	97	121	57.2	45.8	30
8-32x50SF	400	167	71	58	97	136	57.2	45.8	30